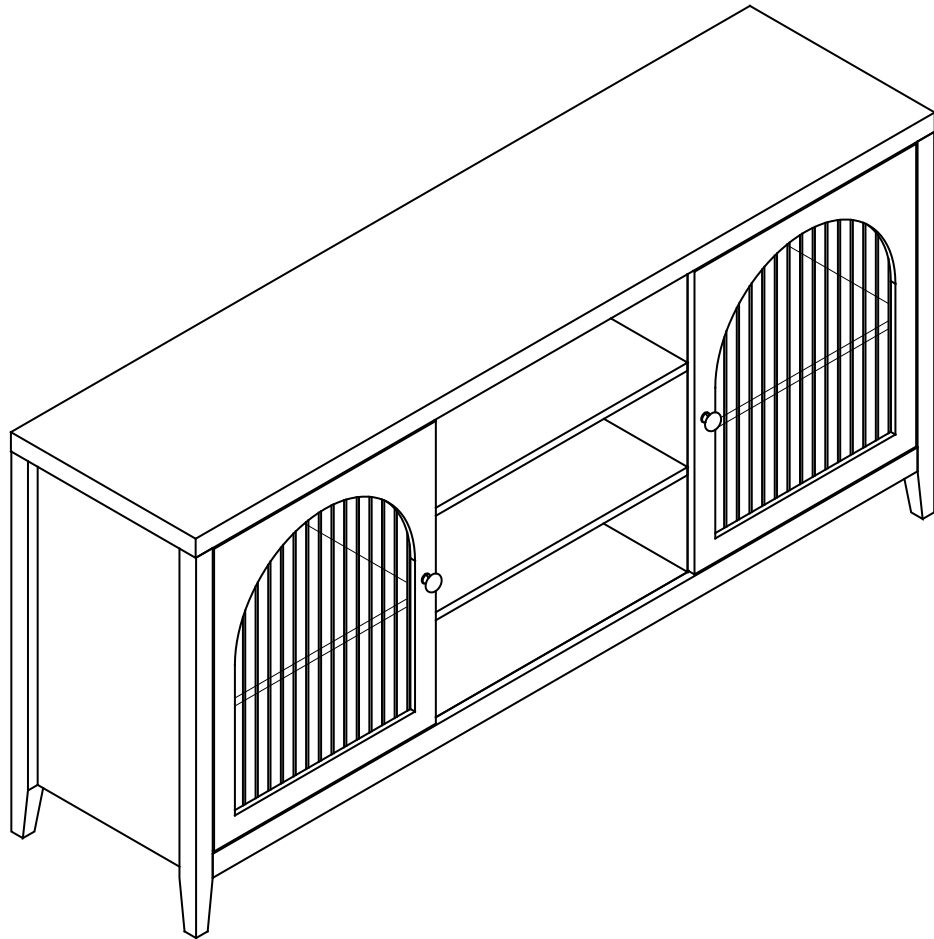


Easton

Buffet

Thank you for your purchase. Please follow the instructions for correct assembly. While we took great effort to ensure these assembly instructions were correct at the time of printing, sometimes updates are required post production. For the most up to date versions please refer to the product page on our website. mocka.com.au/mocka.co.nz



WARNING

This furniture item can become unstable and may topple if climbed upon and can be especially dangerous to children. Serious injury or death may result.

It is undesirable to place objects of interest to children in view on this type of furniture item, as children may be tempted to climb to retrieve the objects the result being that the furniture item may tip and cause injury or death.

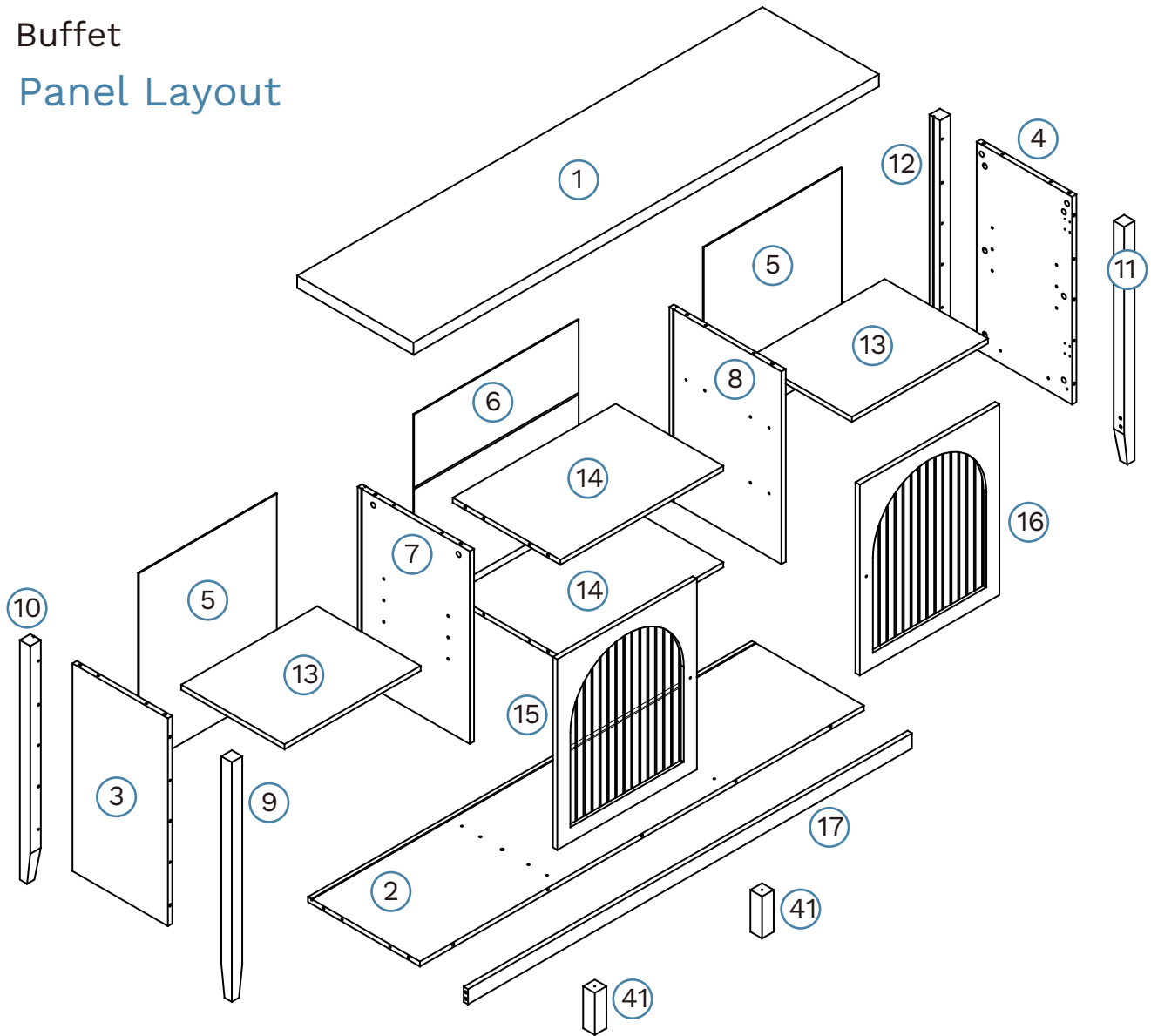
This furniture item meets the requirements of AS/NZS 4935. However, even furniture items that meet these requirements can tip under certain circumstances, especially when placed on carpet, uneven or sloping flooring, or when subject to extreme use.

Attachment of the furniture item to an appropriate structural component of the building using suitable means, as advised by a qualified tradesperson, is strongly recommended even for those furniture items meeting the suitability requirements of AS/NZS 4935.

Easton

Buffet

Panel Layout

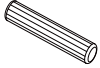

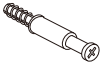






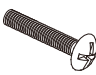



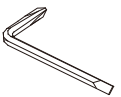


Partlist

①	Top Panel	x1	⑩	LR Leg	x1
②	Bottom Panel	x1	⑪	RF Leg	x1
③	Left Side Panel	x1	⑫	RR Leg	x1
④	Right Side Panel	x1	⑬	Shelf Panel	x2
⑤	Back Panel	x2	⑭	Shelf Panel	x2
⑥	Back Panel	x1	⑮	Left Door	x1
⑦	Left Divider	x1	⑯	Right Door	x1
⑧	Right Divider	x1	⑰	Rail	x1
⑨	LF Leg	x1	④①	Support Leg	x2

Easton

Buffet

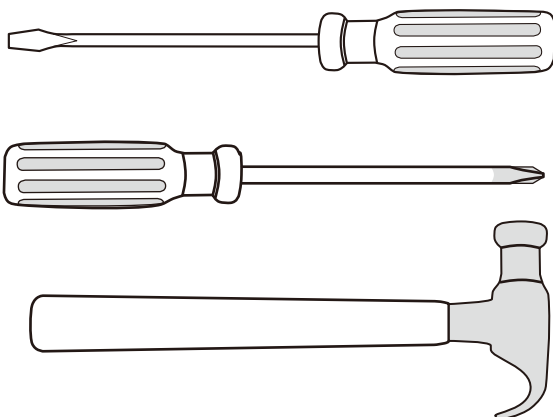
A  dowel x36	B  long screw x6	C  bolt x37	D  locking nut x37	E  hinge screw x24	F  hinge x4	G  wedge x8
H  screw x8	I  handle x2	J  handle bolt x2	K  shelf plug x8	L  adjuster x2	M  plastic glide x4	N  allen key x1

HARDWARE SUPPLIED

V  safety strap x2	W  screw x 2	X  wall anchor x 2	Y  wall screw x 2	Z  washer x 4
---	---	---	--	--

WALL STRAP

WARNING: Any furniture that is not anchored to a wall has the potential to tip over in certain circumstances, i.e. if a child attempts to climb up on the furniture or in the event of an earthquake. Accordingly, we recommend that all furniture is anchored to a wall. We supply a free safety wall anchor with all furniture sold and we recommend these are used to prevent your product tipping. The fixing device provided should fit most wall types, but please note that different wall materials may require different fixing devices from those supplied.



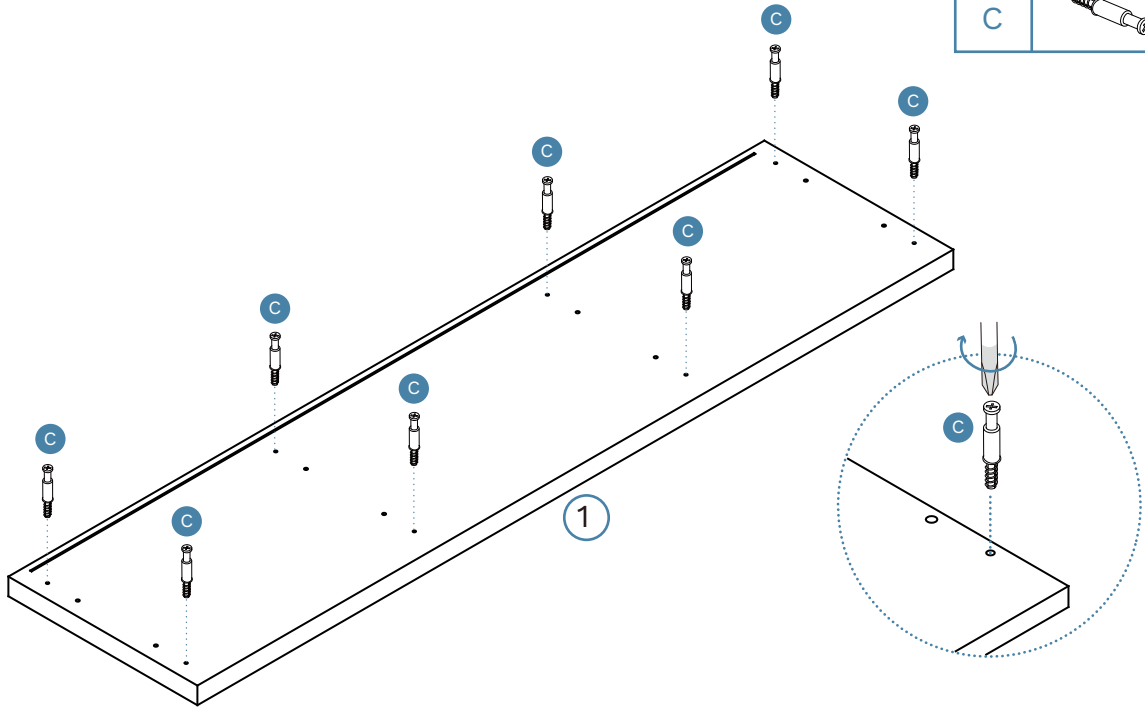
Phillips & Flathead screwdrivers
and hammer required

For quicker assembly, we recommend the use of a power drill on a low-speed setting.

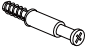
Easton

Buffet

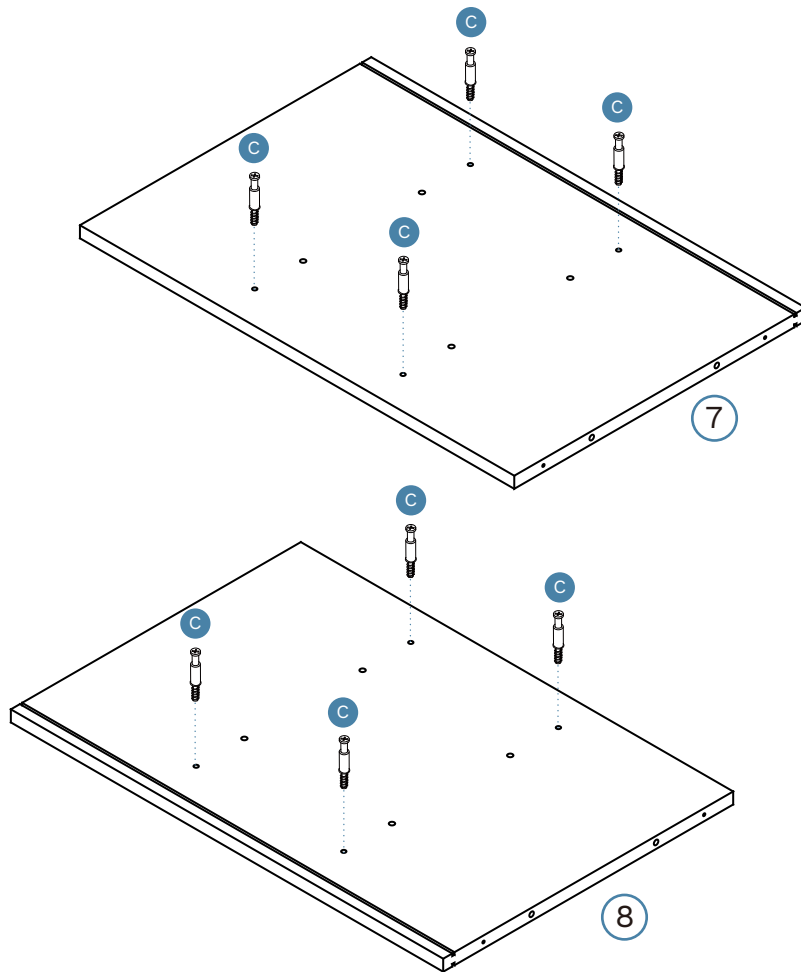
1




Hardware Needed

C		x8
---	---	----

2



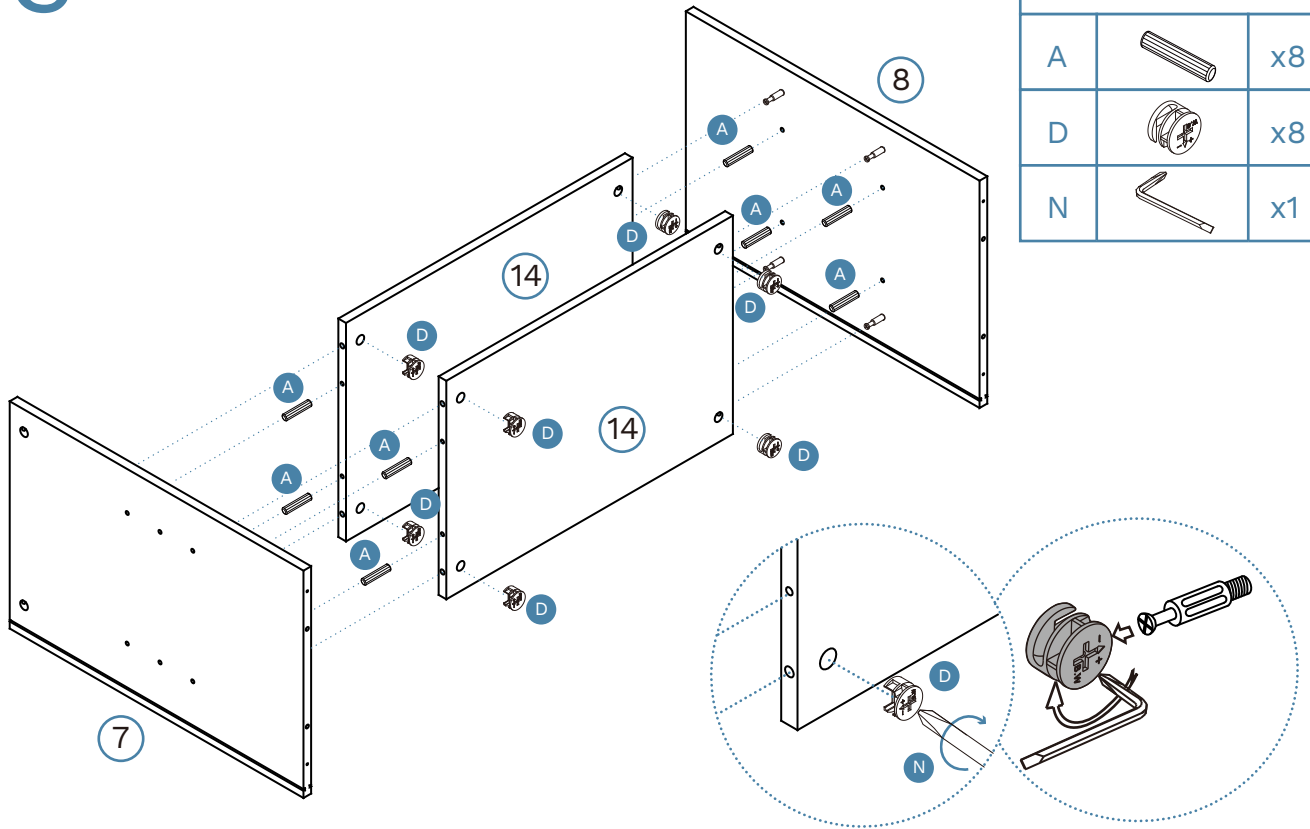
Hardware Needed

C		x8
---	---	----

Easton

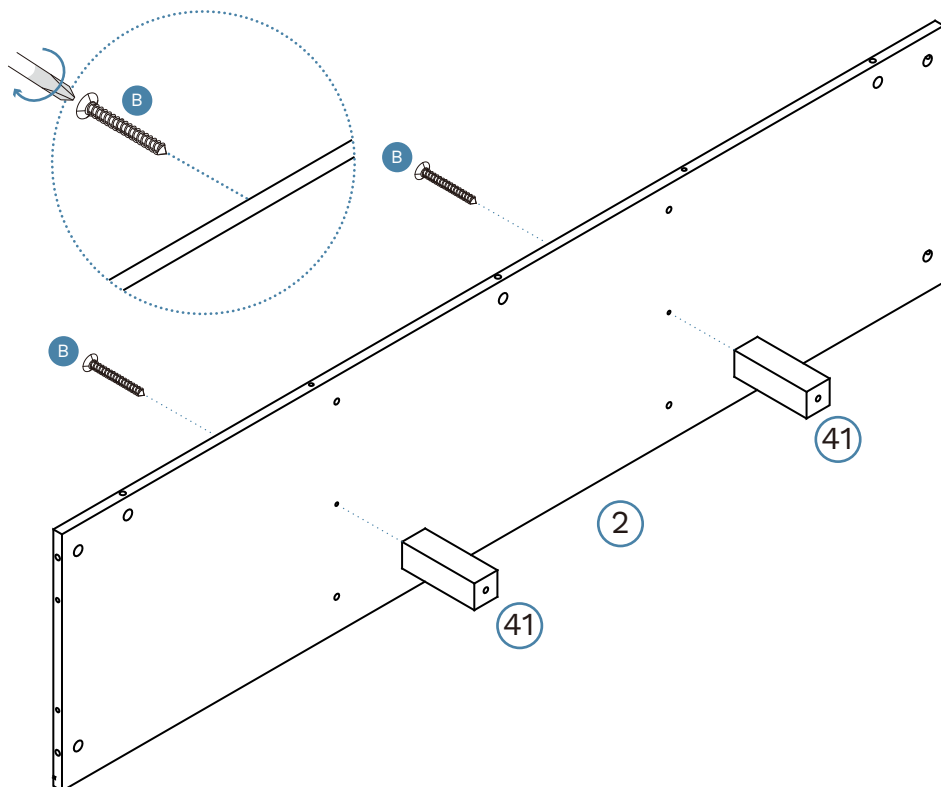
Buffet

3



Hardware Needed		
A		x8
D		x8
N		x1

4

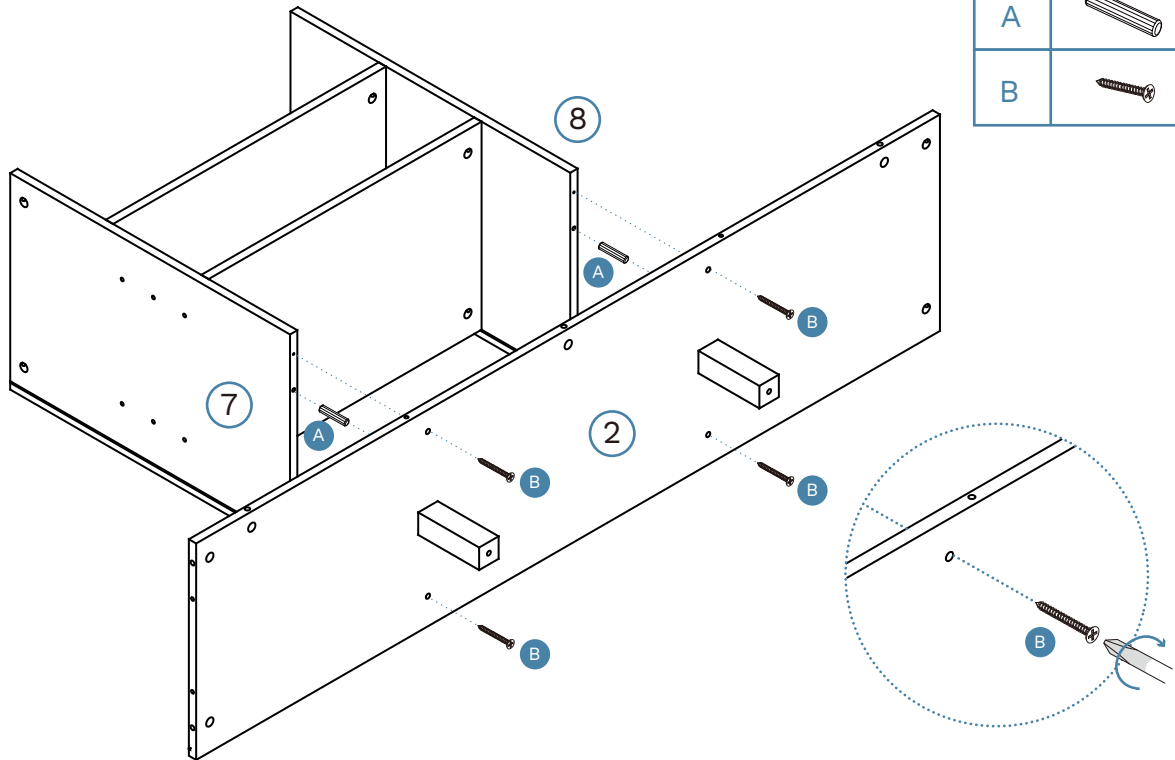




Hardware Needed		
B		x2

Easton

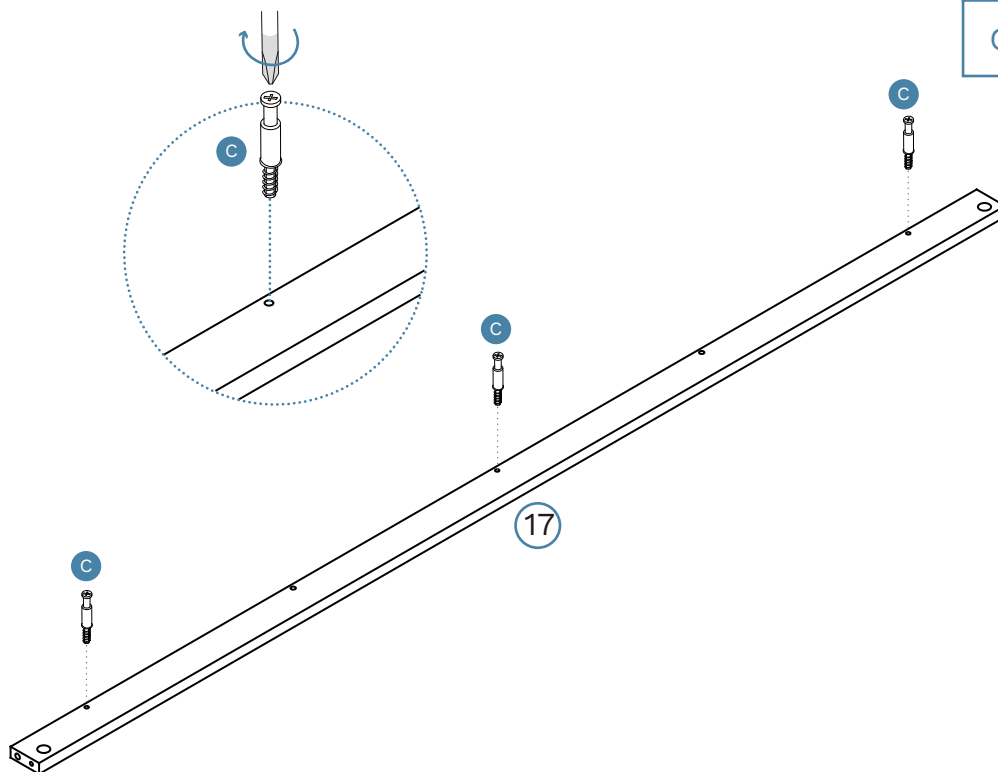
Buffet


5



Hardware Needed		
A		x4
B		x4

6

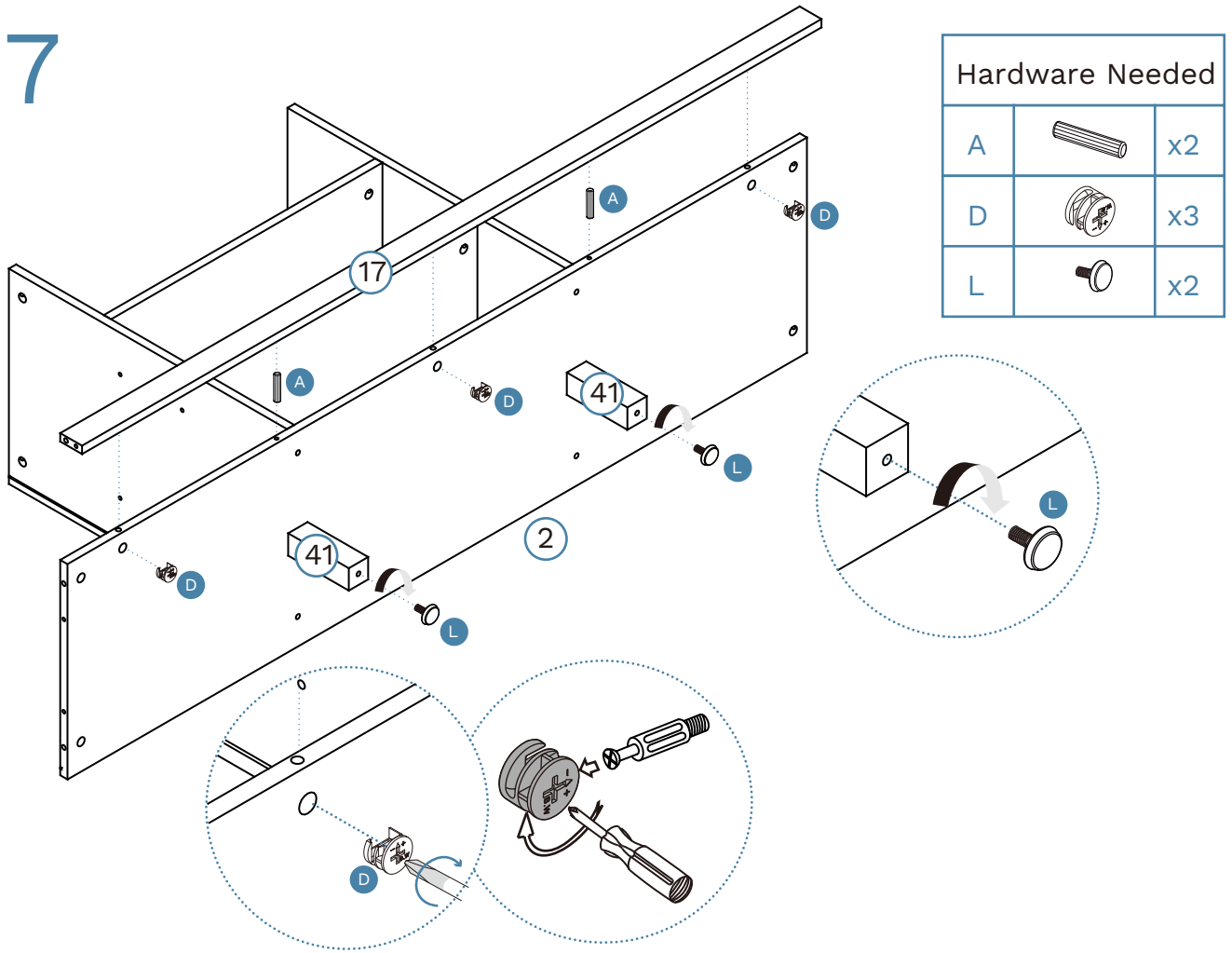





Hardware Needed		
C		x3

Easton

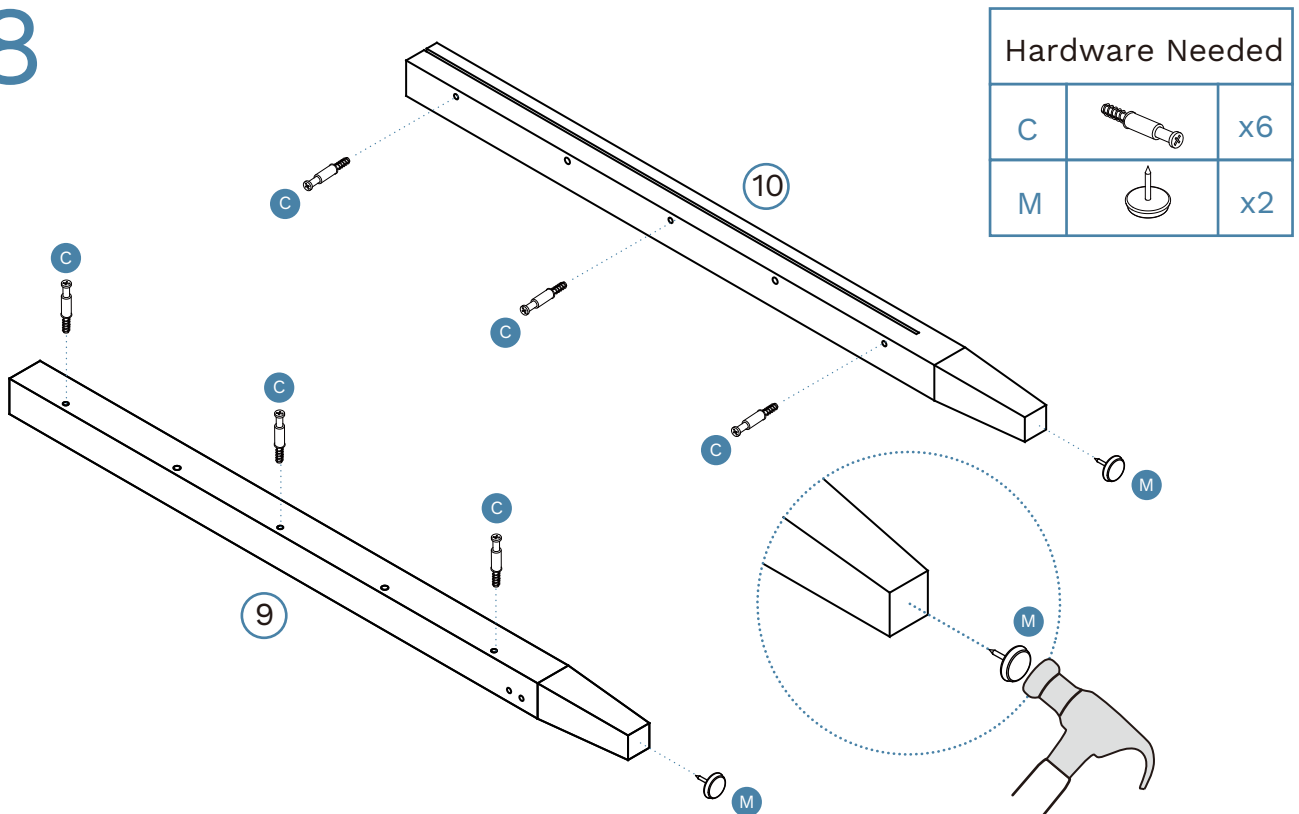
Buffet



7



Hardware Needed		
A		x2
D		x3
L		x2

8

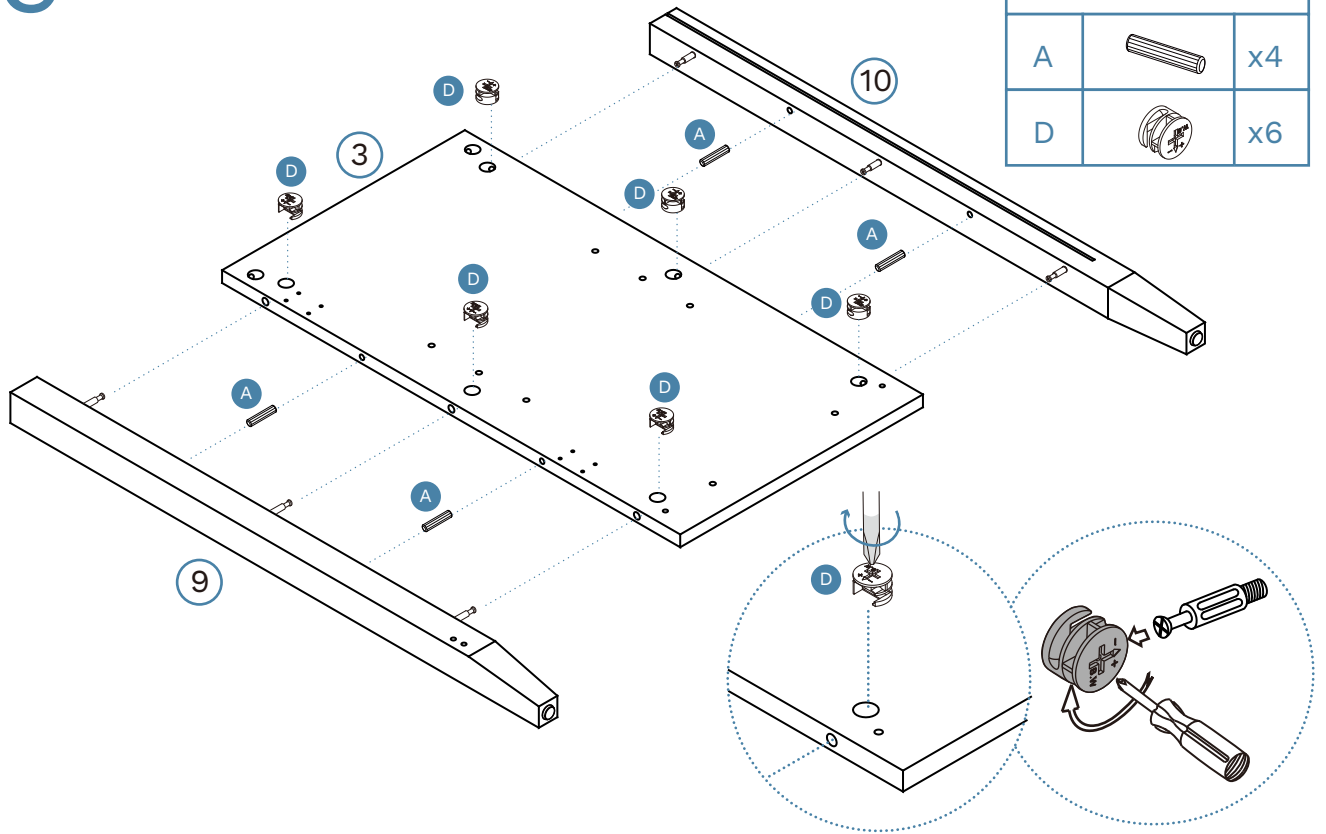


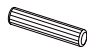

Hardware Needed		
C		x6
M		x2

Easton

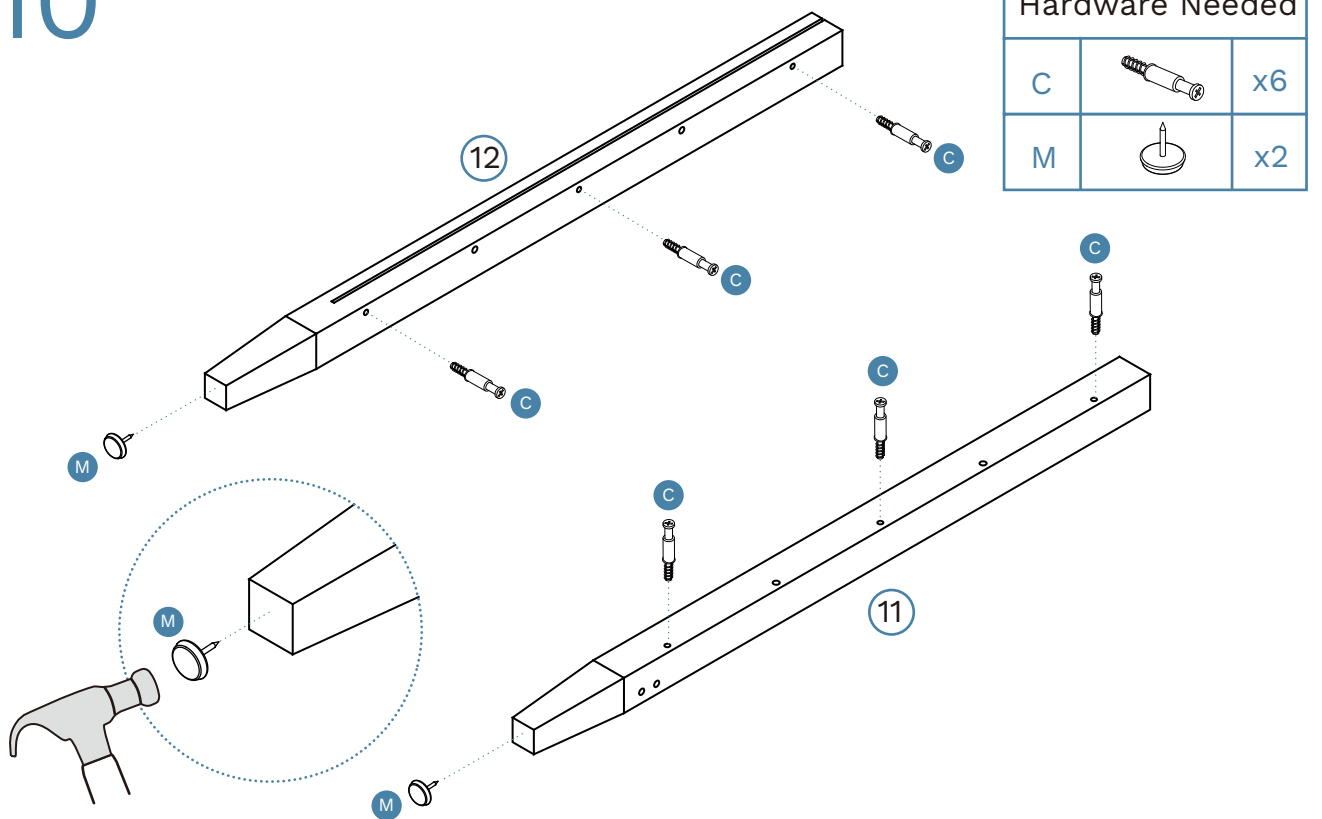
Buffet



9



Hardware Needed		
A		x4
D		x6

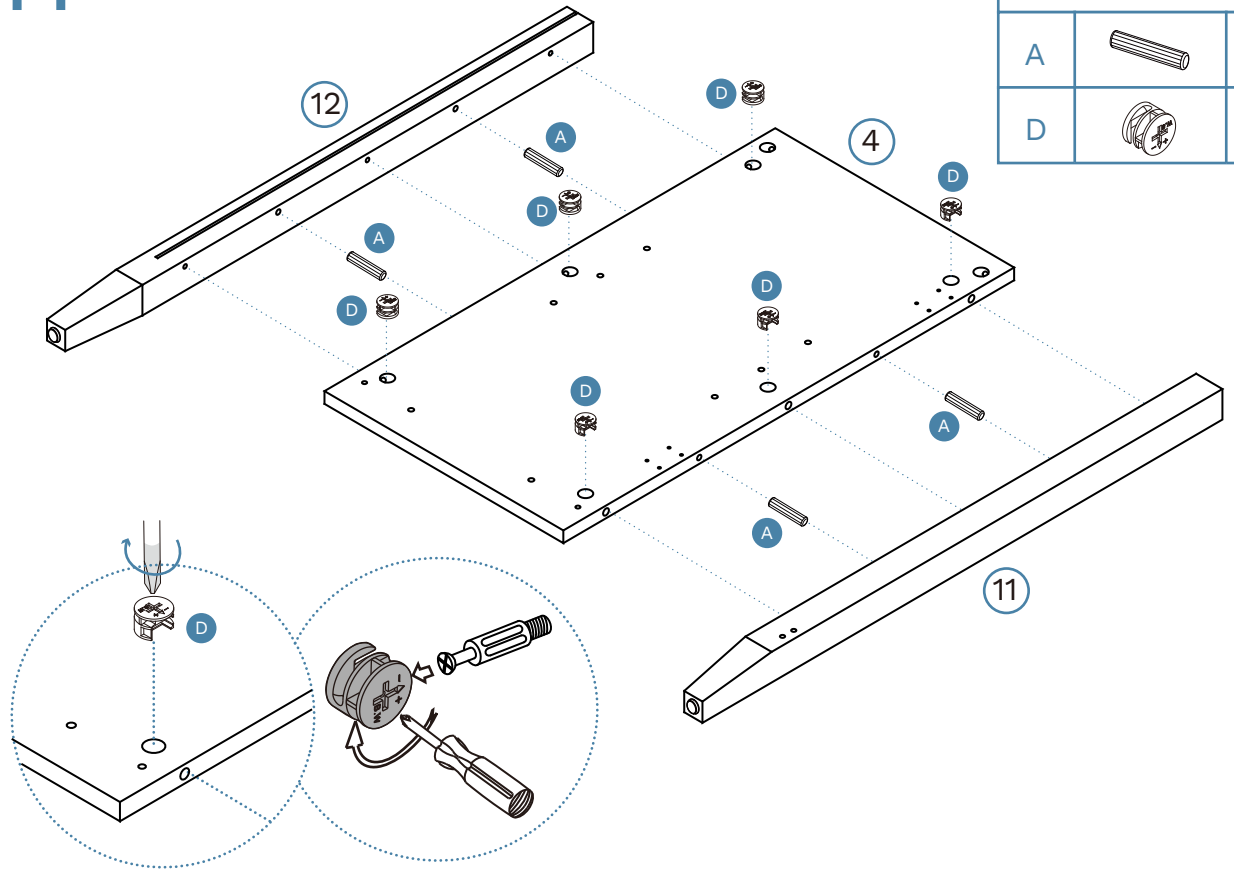
10





Hardware Needed		
C		x6
M		x2

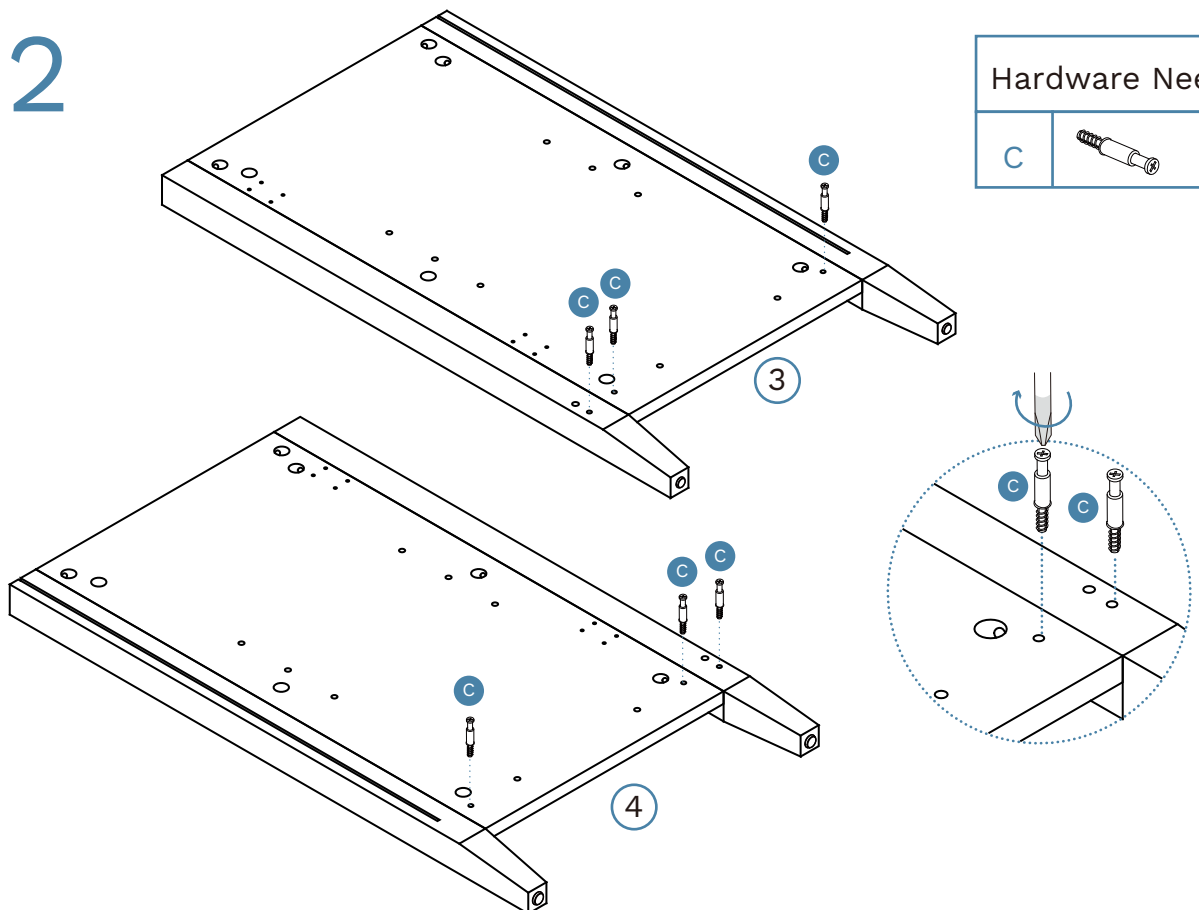
Easton
Buffet


11



Hardware Needed		
A		x4
D		x6

12





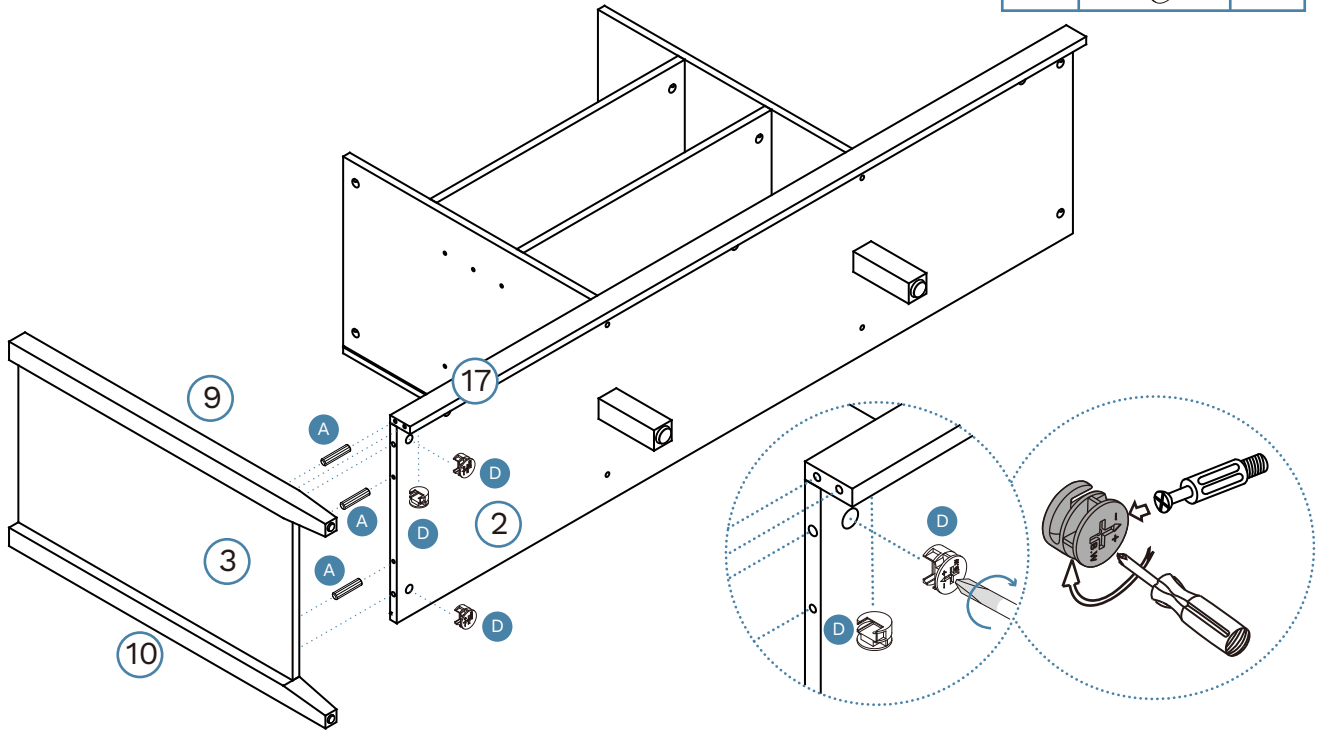
Hardware Needed		
C		x6

Easton



Buffet

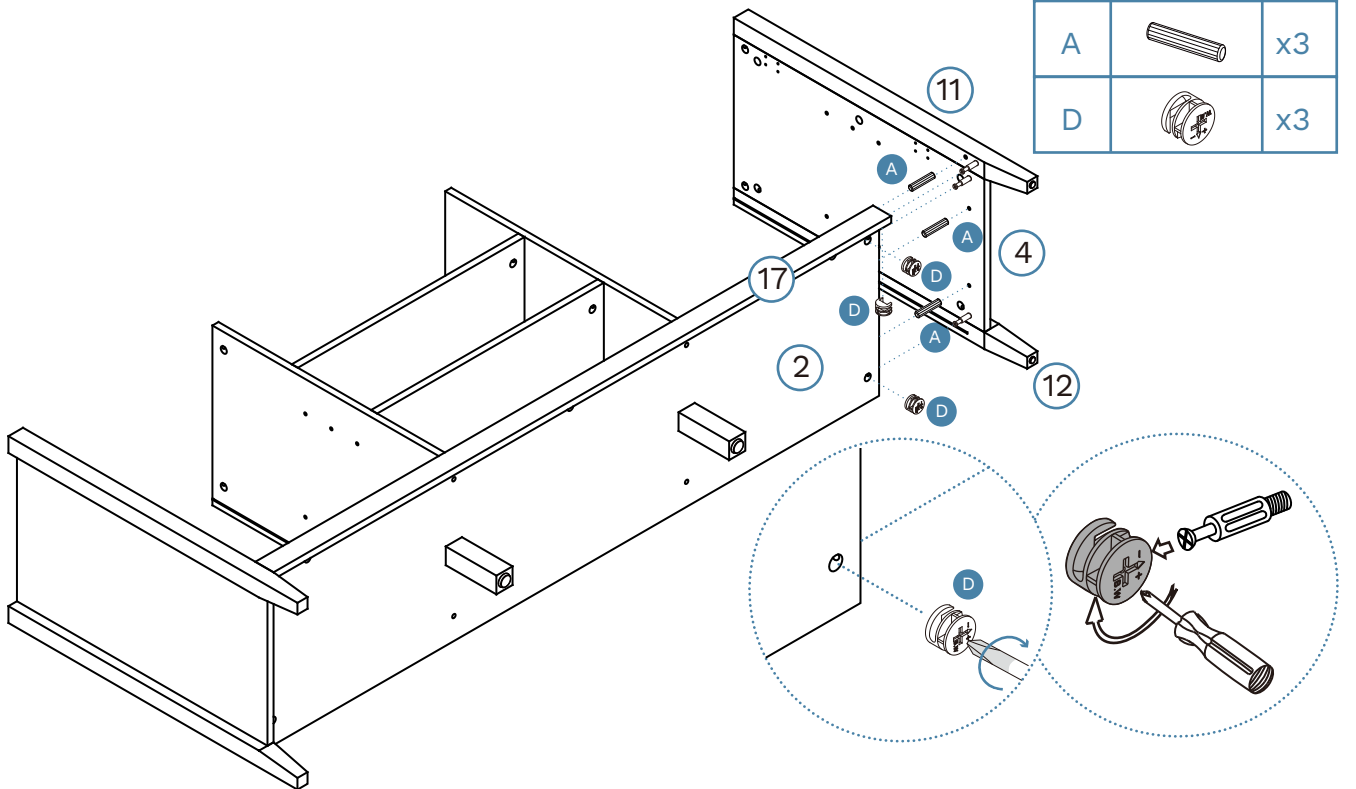
13

Hardware Needed		
A		x3
D		x3



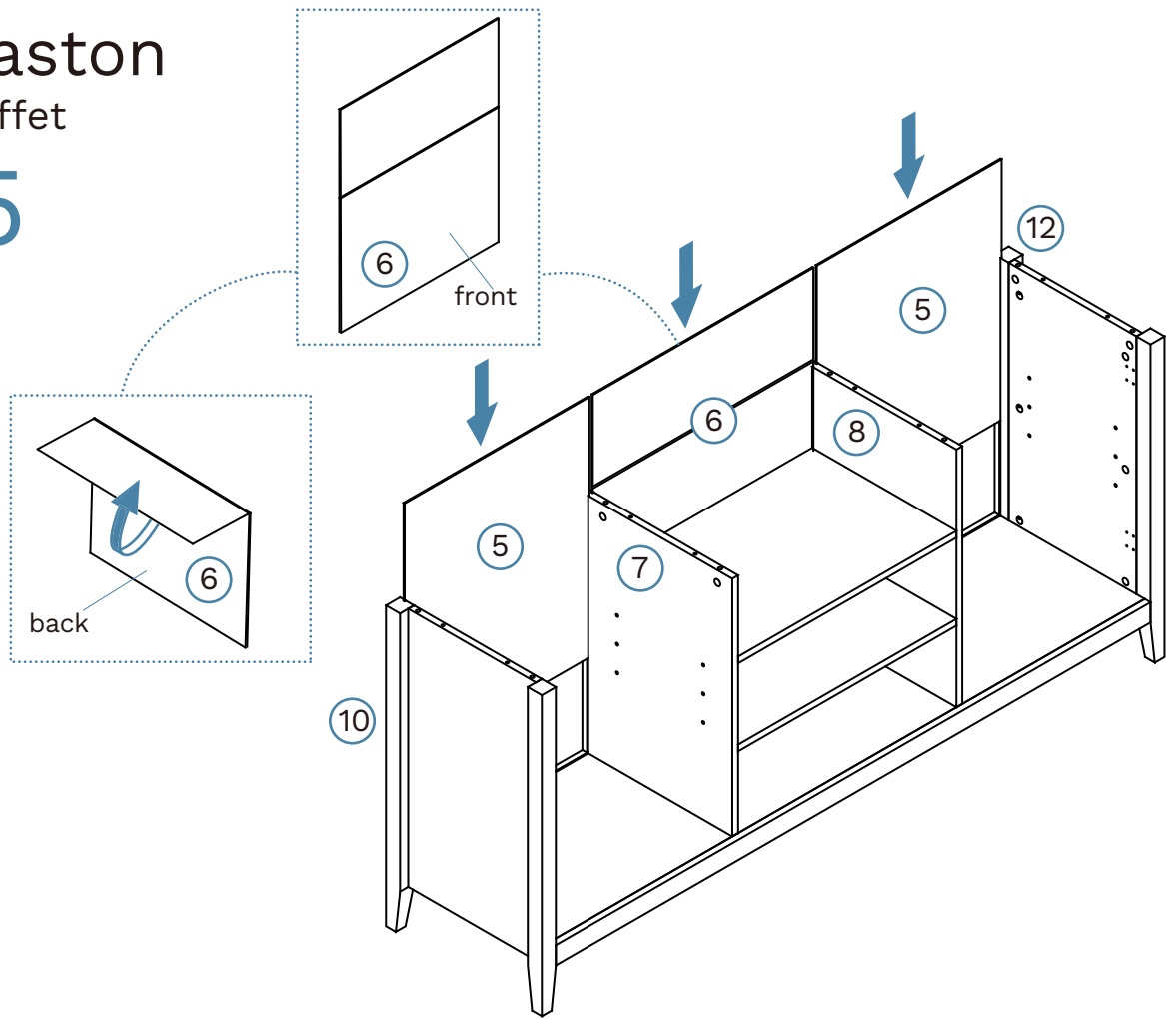
14

Hardware Needed		
A		x3
D		x3

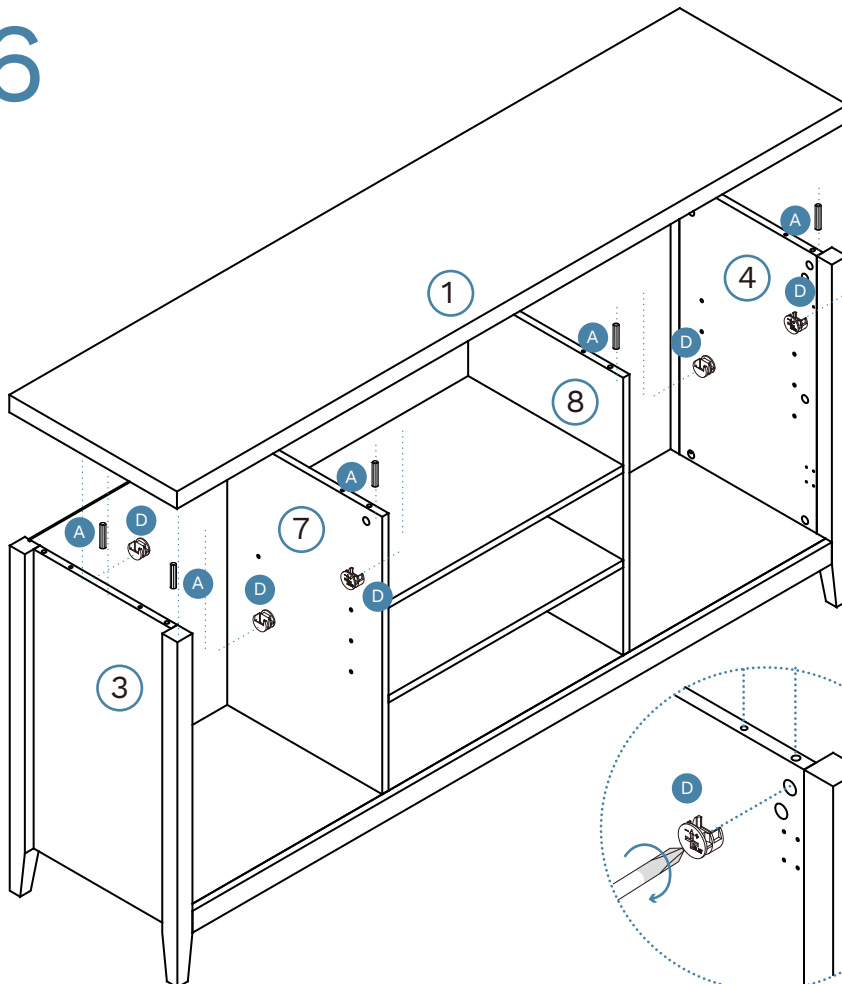


Easton
Buffet



15



16



Hardware Needed

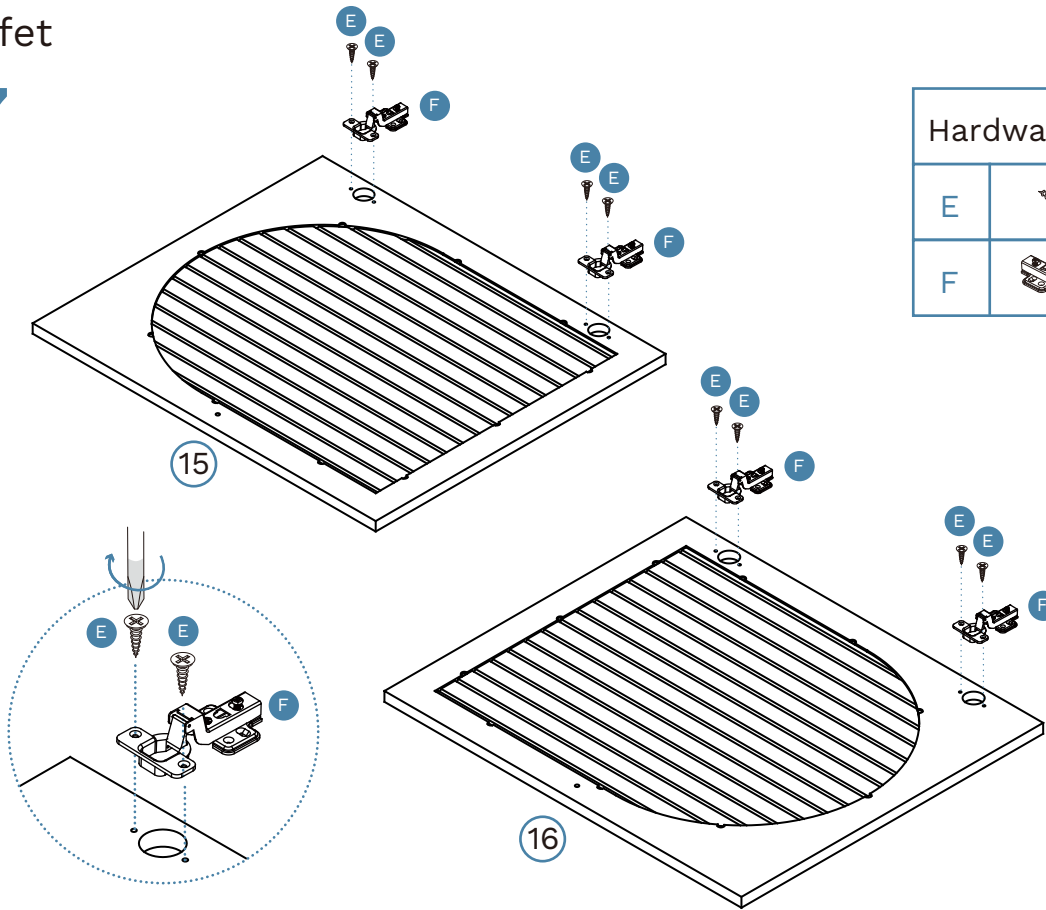
A		x8
D		x8


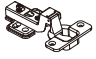
Mocka.

Easton

Buffet

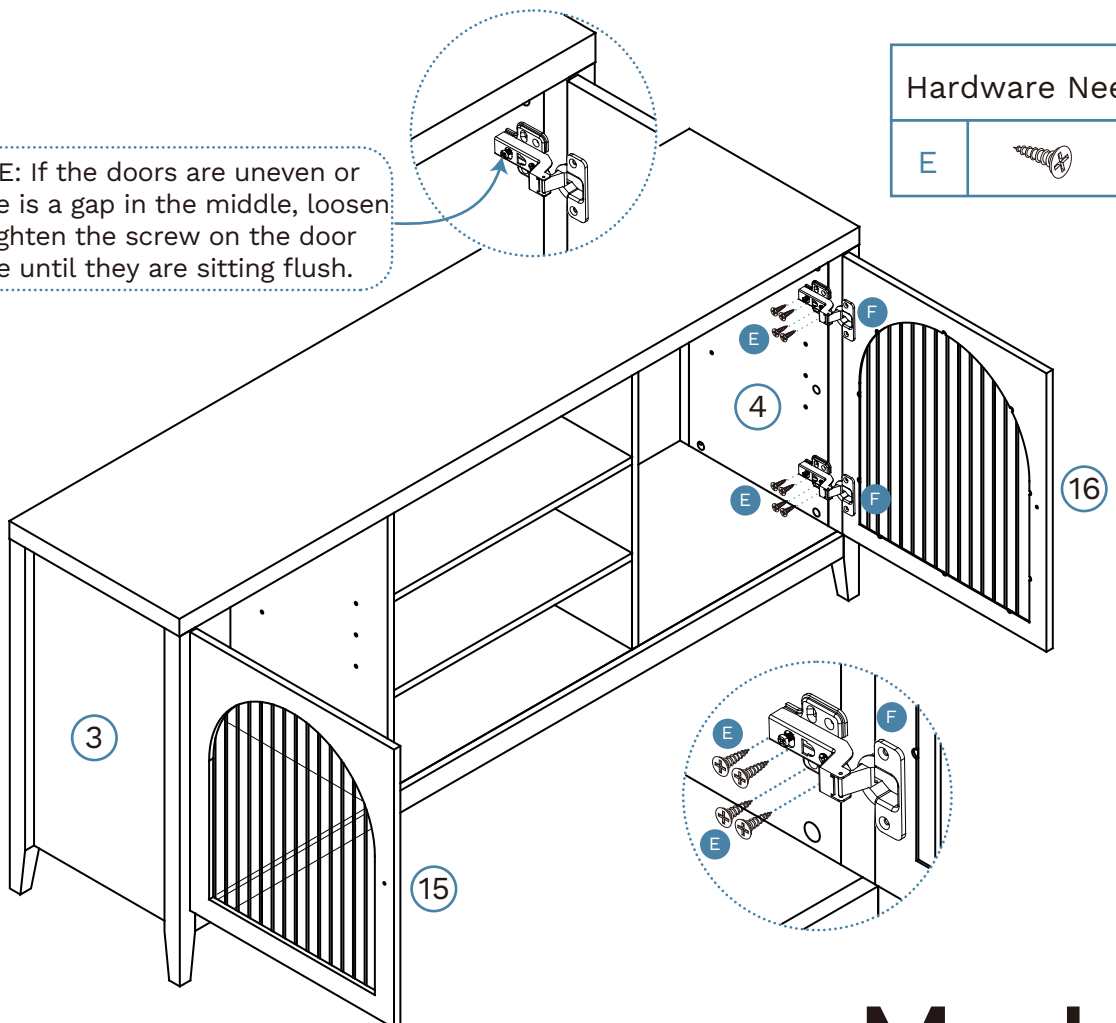
17




Hardware Needed		
E		x8
F		x4

18

NOTE: If the doors are uneven or there is a gap in the middle, loosen or tighten the screw on the door hinge until they are sitting flush.

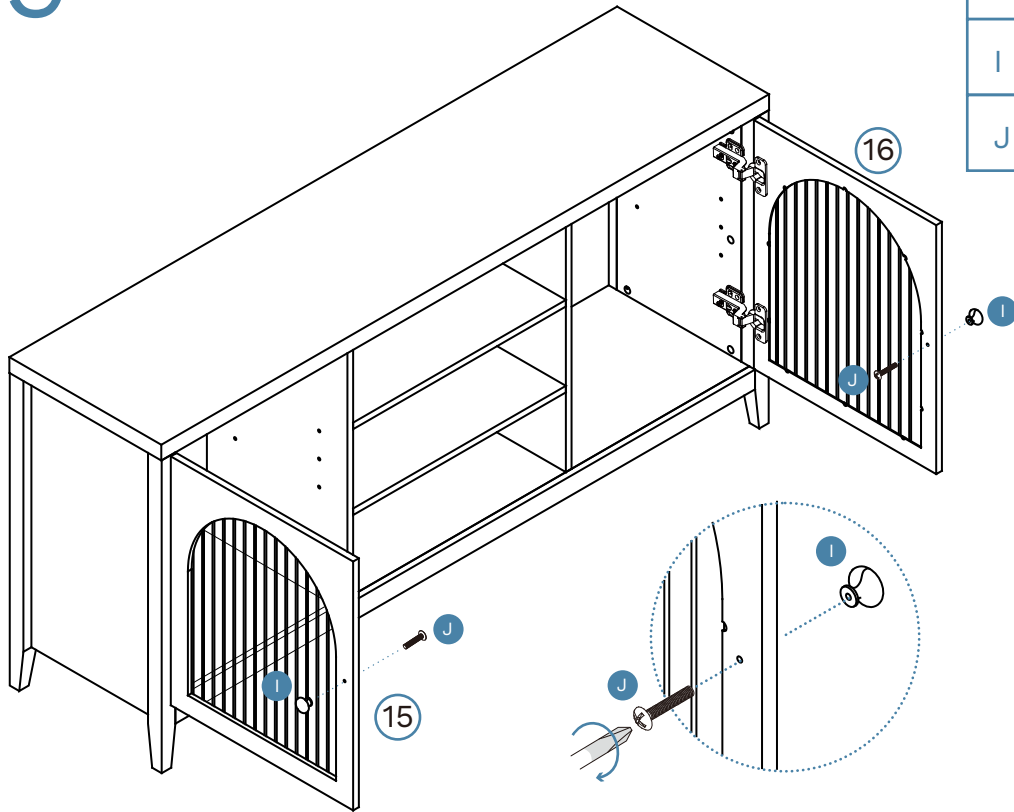




Hardware Needed		
E		x16

Easton

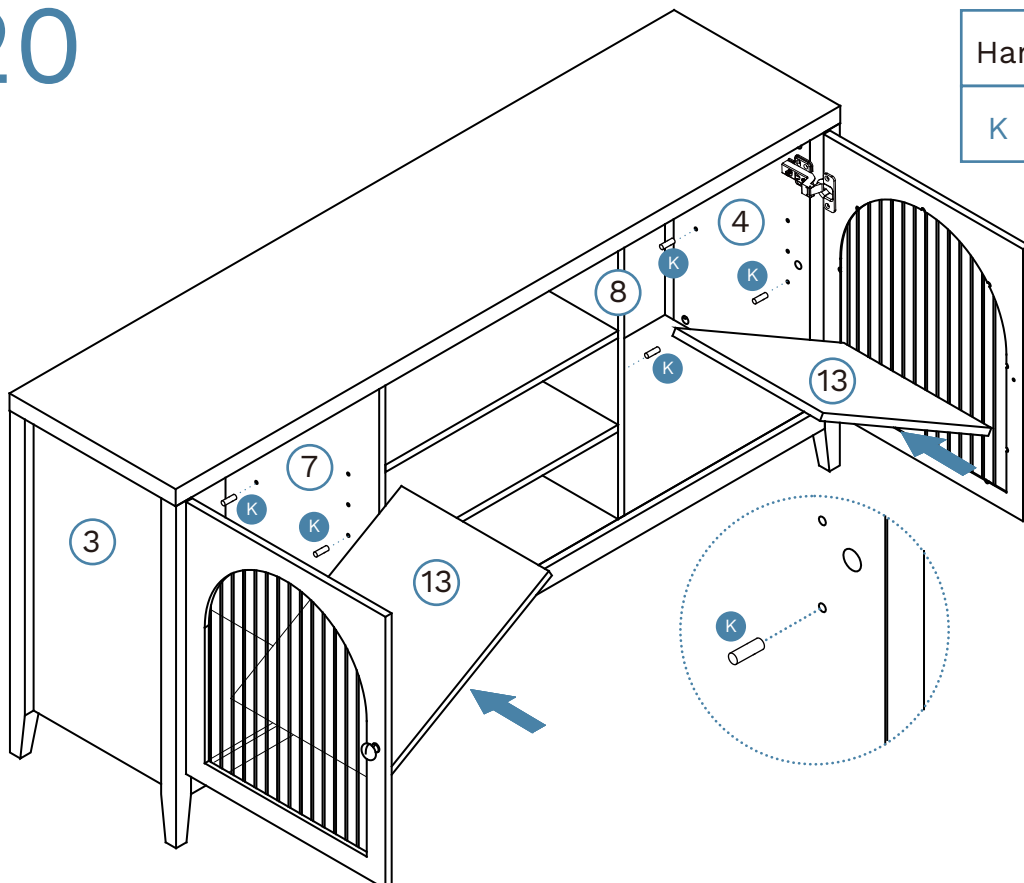
Buffet


19



Hardware Needed		
I		x2
J		x2

20

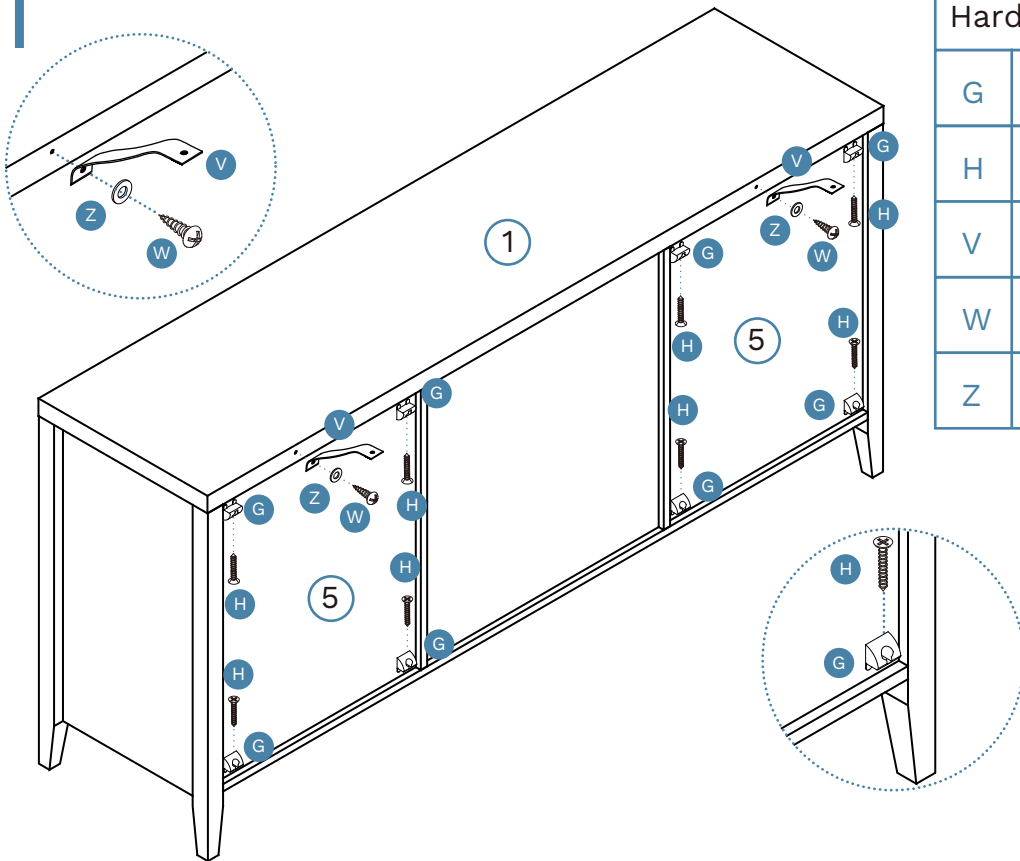


Hardware Needed		
K		x8

Easton

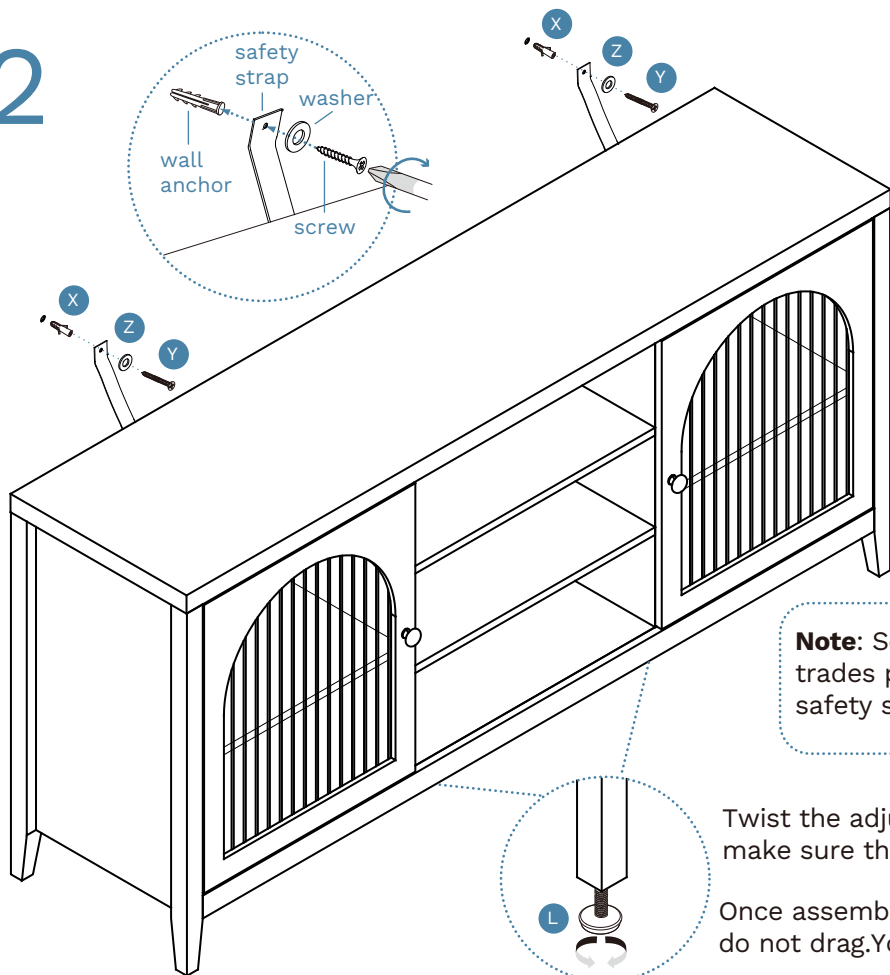
Buffet

21



Hardware Needed		
G		x8
H		x8
V		x2
W		x2
Z		x2

22



Hardware Needed		
X		x2
Y		x2
Z		x2

Note: Seek advice from a qualified trades person on how to attach this safety strap to your specific wall.

Twist the adjuster on centre leg to make sure the top panel is flush.

Once assembled lift furniture into place, do not drag. You're done, enjoy!

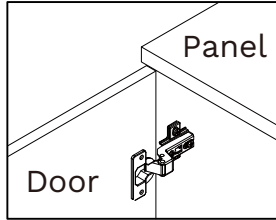
Easton

Buffet

HOW TO ADJUST THE HINGES TO ALIGN THE DOORS IF NEEDED.

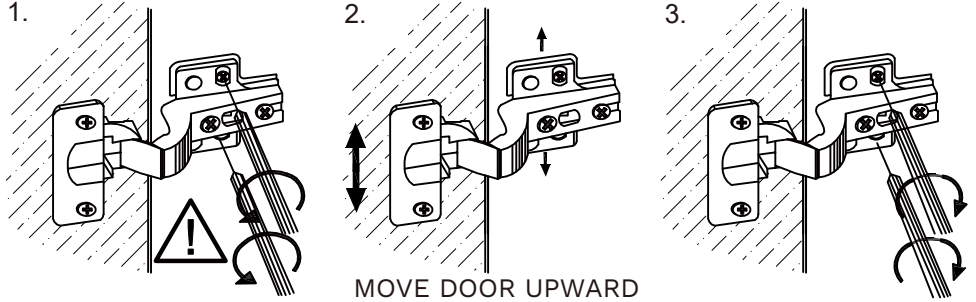
STEP 1

Open the door.



STEP 2

Adjust the door panels upward or downward



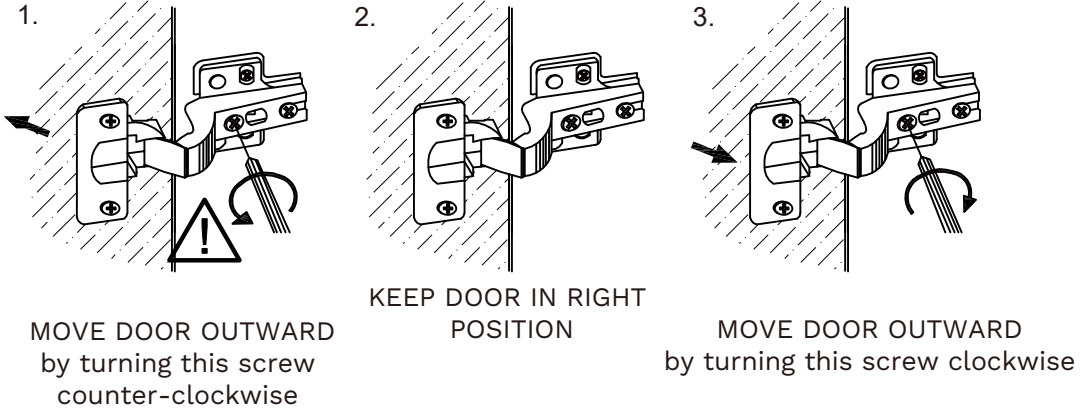
1. Unscrew 2 screws in round holes loosen 2 screws in oval holes a bit.

2. MOVE DOOR UPWARD OR DOWNWARD

3. Tighten 2 screws in oval holes. Screw in 2 screws in round holes

STEP 3

Adjust the flush between door panel and side panel



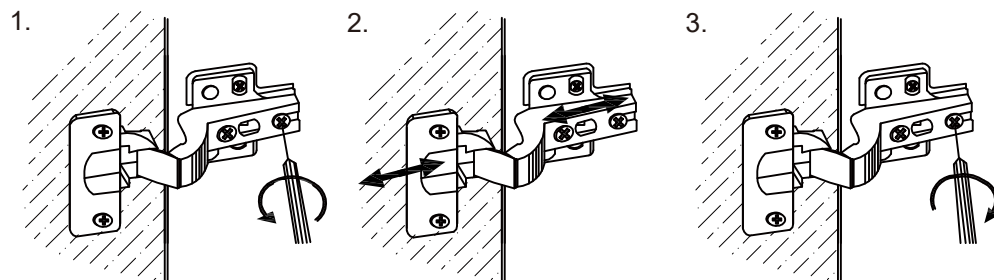
1. MOVE DOOR OUTWARD by turning this screw counter-clockwise

2. KEEP DOOR IN RIGHT POSITION

3. MOVE DOOR OUTWARD by turning this screw clockwise

STEP 4

Adjust the Gap between door panel and side panel



1. Loosen this screw a bit.

2. MOVE DOOR BACK OR FORTH

3. Re-tighten this screw.